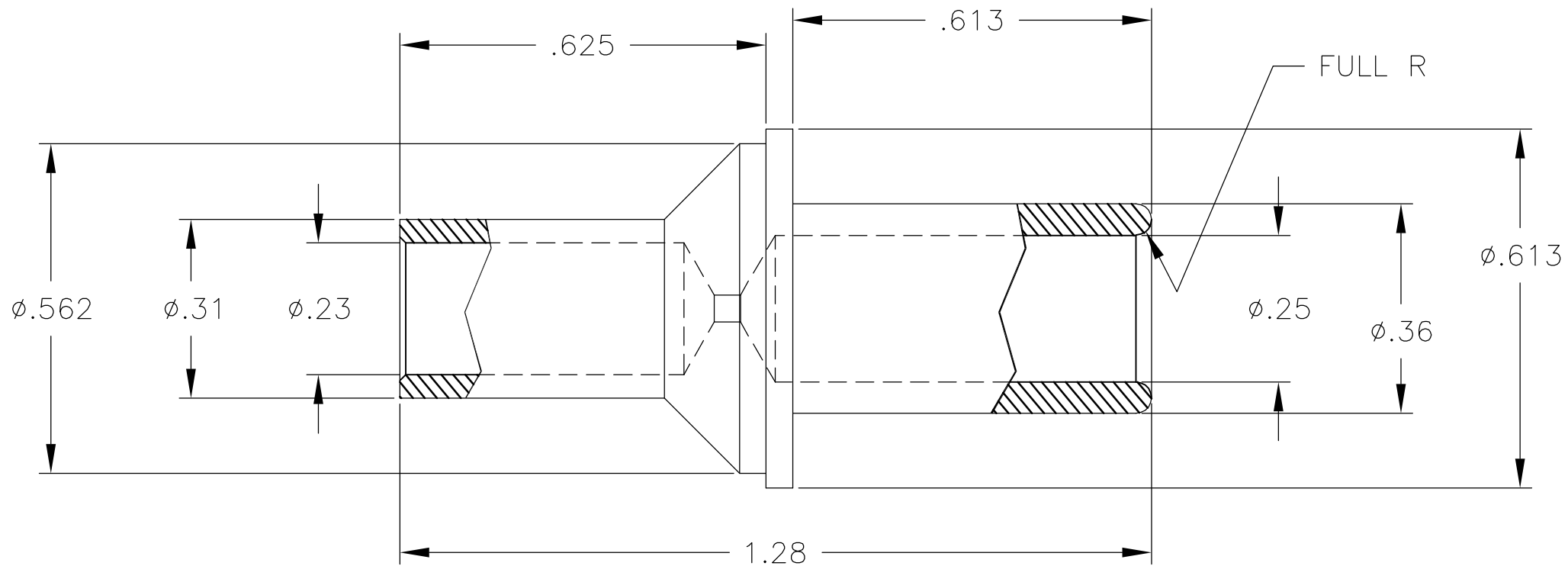


THIS DRAWING IS UNPUBLISHED. RELEASED FOR PUBLICATION
 © COPYRIGHT - BY TYCO ELECTRONICS CORPORATION. ALL RIGHTS RESERVED.

LOC	DIST	REVISIONS					
GP	00	P	LTR	DESCRIPTION	DATE	DWN	APVD
			A	RELEASED	18OCT06	RG	SF



- PART NUMBER CHANGES AND OR DESIGN CHANGES AFFECTING ITEM INTERCHANGEABILITY REQUIRES PRIOR TYCO APPROVAL AND AUTHORIZATION BY REVISION TO THIS DRAWING.
- ITEMS PROVIDED TO THIS SPECIFICATION SHALL BE IDENTIFIED ON THE SHIPPING PACKAGE AS FOLLOWS: PART NUMBER AND DATE CODE.

3 MATERIAL:
COPPER ALLOY

4 FINISH:
SILVER PLATED 0.0002" MIN THK. OVER NICKEL .000040" MIN THK.

5. THIS No.0 PIN MATES W/ PROBE PROOF No.0 SOCKET.

AS SHOWN	1766190-1
DESCRIPTION	PART NUMBER

THIS DRAWING IS A CONTROLLED DOCUMENT.		DWN	R.GRZYBOWSKI	18OCT06	Tyco Electronics Corporation Harrisburg, PA 17105-3608		
DIMENSIONS: INCHES		CHK	S.FLICKINGER	18OCT06			
TOLERANCES UNLESS OTHERWISE SPECIFIED:		APVD	S.FLICKINGER	18OCT06	NAME		
0 PLC ± - 1 PLC ± - 2 PLC ± .02 3 PLC ± .010 4 PLC ± - ANGLES ± -		PRODUCT SPEC		PIN CONTACT, SIZE No.0 W/ No.6 CRIMP BARREL DOUBLE CROWN			
MATERIAL		APPLICATION SPEC		SIZE			RESTRICTED TO
- 3		FINISH		-		CAGE CODE	-
- 4		WEIGHT		A3 00779		DRAWING NO	-
CUSTOMER DRAWING				C=1766190		SCALE	4:1
				SHEET		1 OF 1	REV
							A